

General Specifications

FPSU Power Supply Unit

JUXTA

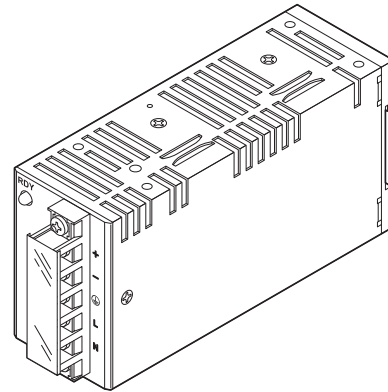
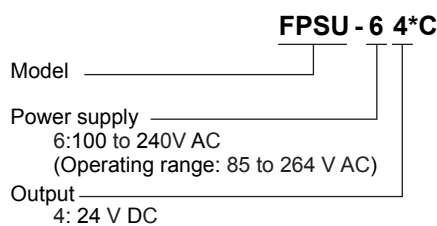
GS 77J50P01-01E

■ General

This FPSU is a power supply unit that is available in cases where the JUXTA signal conditioner of 24 V DC power supply is used in AC power source.

- CSA compliant
- Even if one FPSU fails, the parallel connection enables the backup operation by another FPSU.

■ Model and Suffix Codes



■ Ordering Information

Specify the following when ordering.

- Model and suffix codes :e.g. FPSU-64*C

■ Input/Output Specifications

Input voltage range: 100 to 240 V AC ~ (-15%, +10%)
(operating range 85 to 264 V AC)

Frequency range: 50/60 Hz
(operating range 47 to 63 Hz)

Current: 1.6 A max.

Rush current: 20 A AC (7ms) max. at cold start

Output rated voltage: 24 V DC $\pm 10\%$

Output rated current: 1.7 A

Input and load change: 24 V DC $\pm 10\%$

Overcurrent protection: 110% min.

Overvoltage protection: 33 V DC max.

■ Isolation

Insulation resistance:

100M Ω or more at 500 V DC between input and output, output and case, and input and case

Withstand voltage:

1500 V AC/min. between input and (output and case)

500 V AC/min. between output and case

■ Safety Standard

Safety: Approved CSA C22.2 No.61010-1

Installation category: CAT.II

Pollution degree: 2

■ Environmental conditions

Operating temperature range: 0 to 50°C

Operating humidity range:

5 to 90%RH (no condensation)

Operating conditions: Avoid installation in areas with corrosive gases, dust, direct sunlight, altitude of more than 2000m above sea level.

■ Mounting and Dimensions

Material: Aluminum and ABS resin (Case body)

Mounting method: Rack, Wall, or DIN rail mounting

Connection method: M4 screw terminals

External dimensions: 72(H) \times 48(W) \times 160(D)mm
(Including terminals)

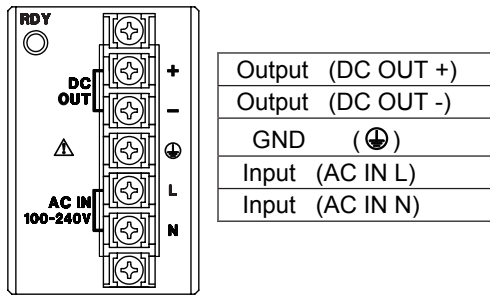
Weight: Approx. 420 g

■ Standard Accessories

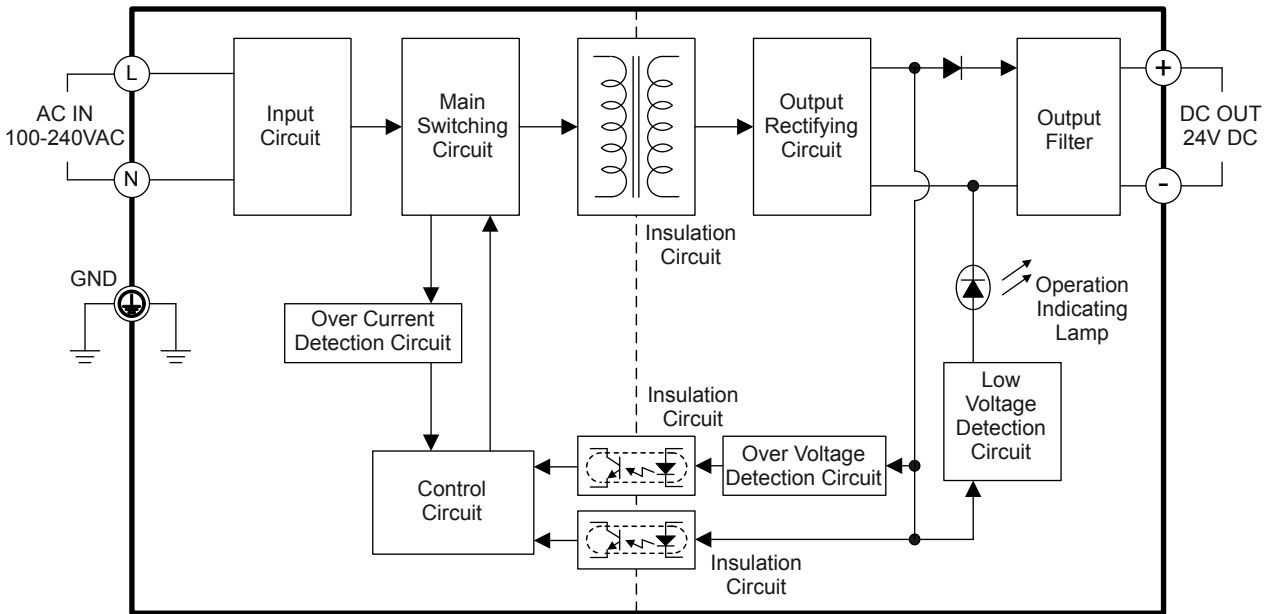
Mounting bracket: 2

Mounting screw: M3 \times 4, M4 \times 4

Terminal Assignments



Block Diagram



External Dimensions

